

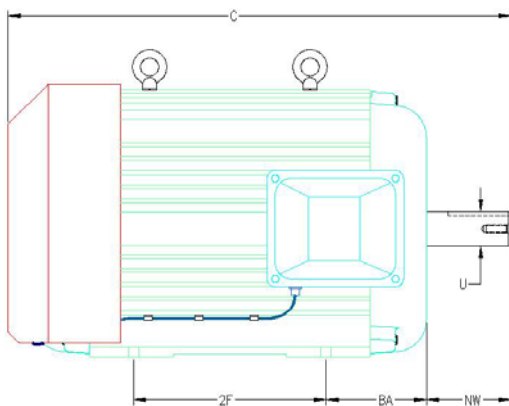
WRITTEN-POLE® MOTOR SINGLE-PHASE, HIGH EFFICIENCY, INTERNAL ROTOR DESIGN CHARACTERISTICS AND SPECIFICATIONS

CHARACTERISTICS:

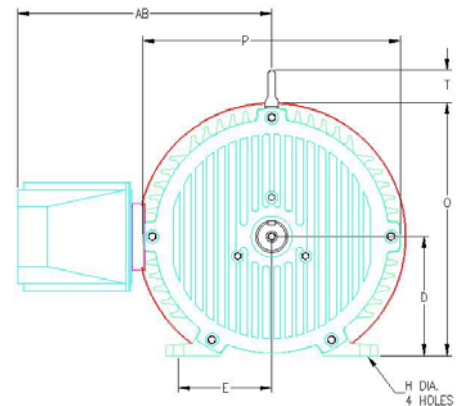
- Single-phase, 30 to 75 HP
- TEFC design
- Low starting current across-the-line
- High efficiency
- Unity power factor
- Eliminates flicker and line sags
- Synchronous
- Low harmonic input
- Smooth (constant torque) start
- High starting torque per amp
- Starts high inertia loads
- Instant restart after MPis (Momentary Power Interruptions)
- High power factor during start
- Complete unit includes control system in a separate NEMA-4X enclosure

SPECIFICATIONS:

Rating (hp)		30	40	50	60	75
Speed (rpm)		1800	1800	1800	1800	1800
Voltage (nominal)		230	240	460	460	460
Frequency (Hz)		60	60	60	60	60
Full Load Amps (FLA)		104	142	85	103	129
Locked Rotor Amps (LRA)		197	282	160	196	225
Full Load Torque (ft.lb.)		87.5	117	148	175	218
NEMA Frame Size:	Iron	365T	445T	445T	445T	445T
Weight (lbs)	Iron	950	1800	1900	2000	2200
Ambient Starting Temp. Range	Ambient Starting Temperature is 4° C to 40° C. If your application is outside this range, please contact Precise Power Corp.					
Efficiency %		93%	93.5%	93.5%	94%	94%



ADVISORY
 Drawings for graphical purposes only.



Frame	C	D	E	H	NW	O	P	R	S	T	U	AB	BA	ES	2E	2F
365T	34.50	8.86	7.00	.66	6.08	18.28	19.29	2.021	.625	2.67	2.375	17.28	5.67	4.56	14.01	12.25
445T*	47.70	11.00	9.00	.81	8.50	23.01	25.83	2.88	.875	2.67	3.375	22.24	7.50	7.33	18.00	16.50

* = Approx. Values

The PPC Logo and Written-Pole are Registered Trademarks of Precise Power Corp. - Palmetto, Florida, U.S.A.
 Precise Power Corporation is a Trademark of Precise Power Corp. - Palmetto, Florida, U.S.A.