

WRITTEN-POLE® eMOTOR™

SINGLE-PHASE, HIGH EFFICIENCY, INTERNAL ROTOR DESIGN

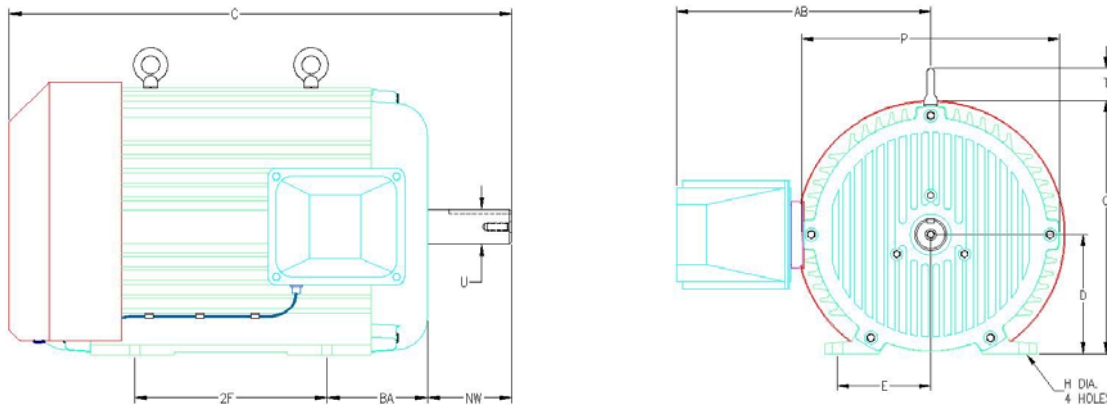
CHARACTERISTICS AND SPECIFICATIONS

CHARACTERISTICS:

- Single-phase, 15 HP
- Low starting current across-the-line
- High efficiency
- Unity power factor
- Eliminates flicker and line sags
- Synchronous
- Cost effective system design
- Reliable
- Low harmonic input
- Simple design (No rotating windings)
- Smooth (constant torque) start
- High starting torque per amp
- Starts high inertia loads
- Instant restart after MPIs (Momentary Power Interruptions)
- High power factor during start
- Complete unit includes control system in a separate NEMA-1 enclosure

SPECIFICATIONS:

Rating (hp)	15
Speed (rpm)	1800
Voltage (nominal)	230
Frequency (Hz)	60
Full Load Amps (FLA)	58
Locked Rotor Amps (LRA)	120
Full Load Torque (ft.lb.)	44
NEMA Frame Size:	256T
Weight (lbs)	400
Efficiency %	88%



Frame	C*	D	E	H	NW	O*	P*	U	AB*	BA*	2F*
256T	24	6.25	5.00	0.53	4.50	13.50	14	1.625	12.0	3.75	8.25

*=Approx. Values

The PPC Logo and Written-Pole are Registered Trademarks of Precise Power Corp. - Palmetto, Florida, U.S.A.
 Precise Power Corporation and eMotor are Trademarks of Precise Power Corp. - Palmetto, Florida, U.S.A.